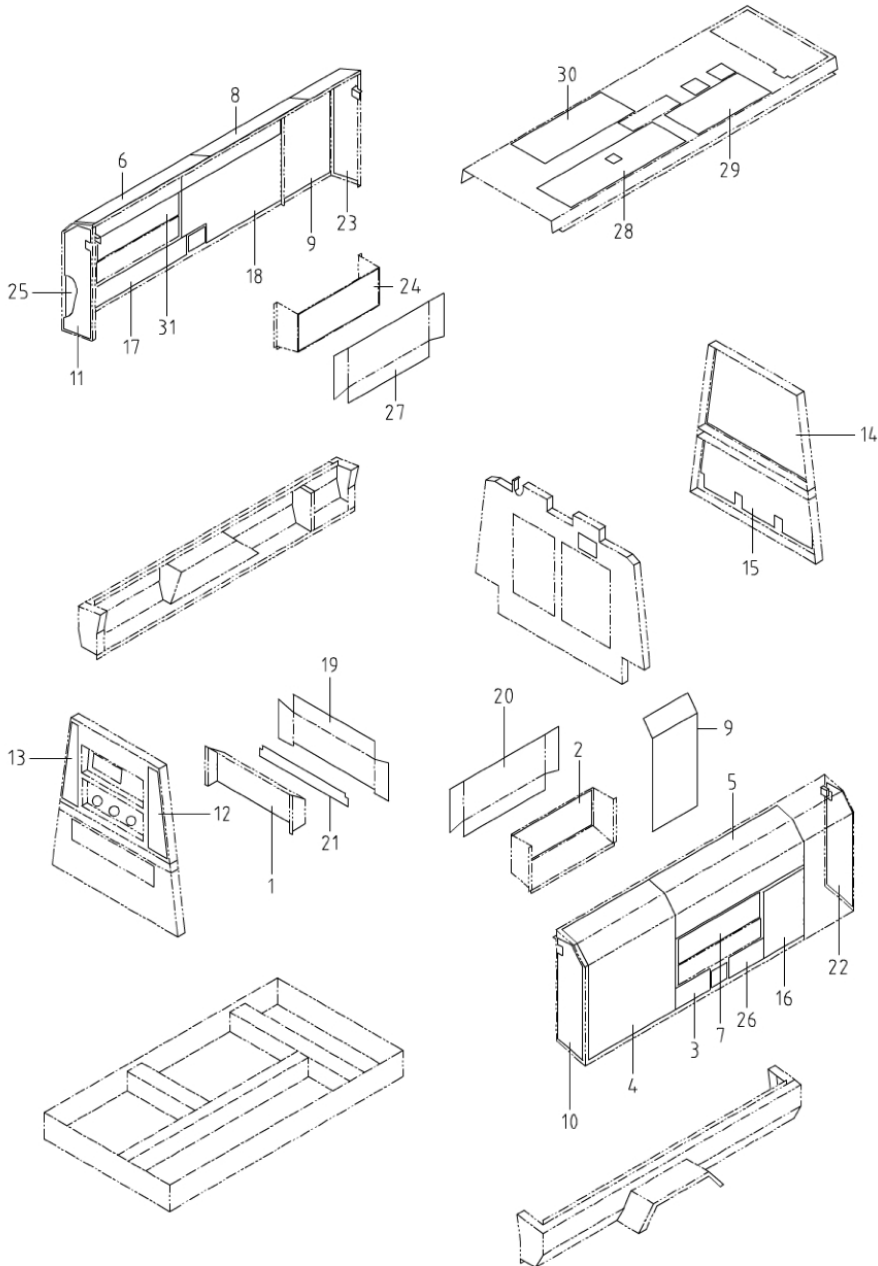




52-01 - LINING-PDS185S-6B4

52 - 01 LINING (PDS185S)



- 52-3 -

0303-10



52-01 - LINING-PDS185S-6B4

Diag #	Part #	Description	ITC	Serial/Date	Qty	Notes
	52900 42912	URETHANE FOAM KIT				INCL. No. 1~31
1	52928 28200	Lining			1	
2	52928 36000	Lining			1	
3	52959 80240	Lining			1	
4	52959 78030	Lining			1	
4	52959 04250	Lining	B	6B40084~	1	
5	52959 02550	Lining			1	
5	52959 67440	Lining	B	6B40084~	1	
6	52959 02550	Lining			1	
6	52959 04450	Lining	B	6B40084~	1	
7	52959 02650	Lining			1	
7	52959 03950	Lining	B	6B40053~	1	
9	52919 40100	Lining			2	
10	52931 79010	Lining			1	
11	52931 79210	Lining			1	
12	52931 89610	Lining			1	
13	52931 89710	Lining			1	
14	52939 84230	Lining			1	
15	52939 84330	Lining			1	
16	52959 65330	Lining			1	
16	52959 04150	Lining	B	6B40084~	1	
17	52959 02940	Lining			1	
18	52959 23930	Lining			1	
18	52959 04350	Lining	B	6B40084~	1	
19	52931 87710	Lining			1	
20	52931 28720	Lining			1	
22	52939 80930	Lining			1	
23	52939 81030	Lining			1	
24	52928 23100	Lining			1	
25	52959 88920	Lining			1	
25	52959 04050	Lining	B	6B40084~	1	
26	52959 93140	Lining			1	
27	52931 28620	Lining			1	
28	52931 28520	Lining			1	
29	52959 93830	Lining			1	
30	52959 03240	Lining			1	

MMD Equipment. Equip with the Pros.
All prices are subject to change without notice.



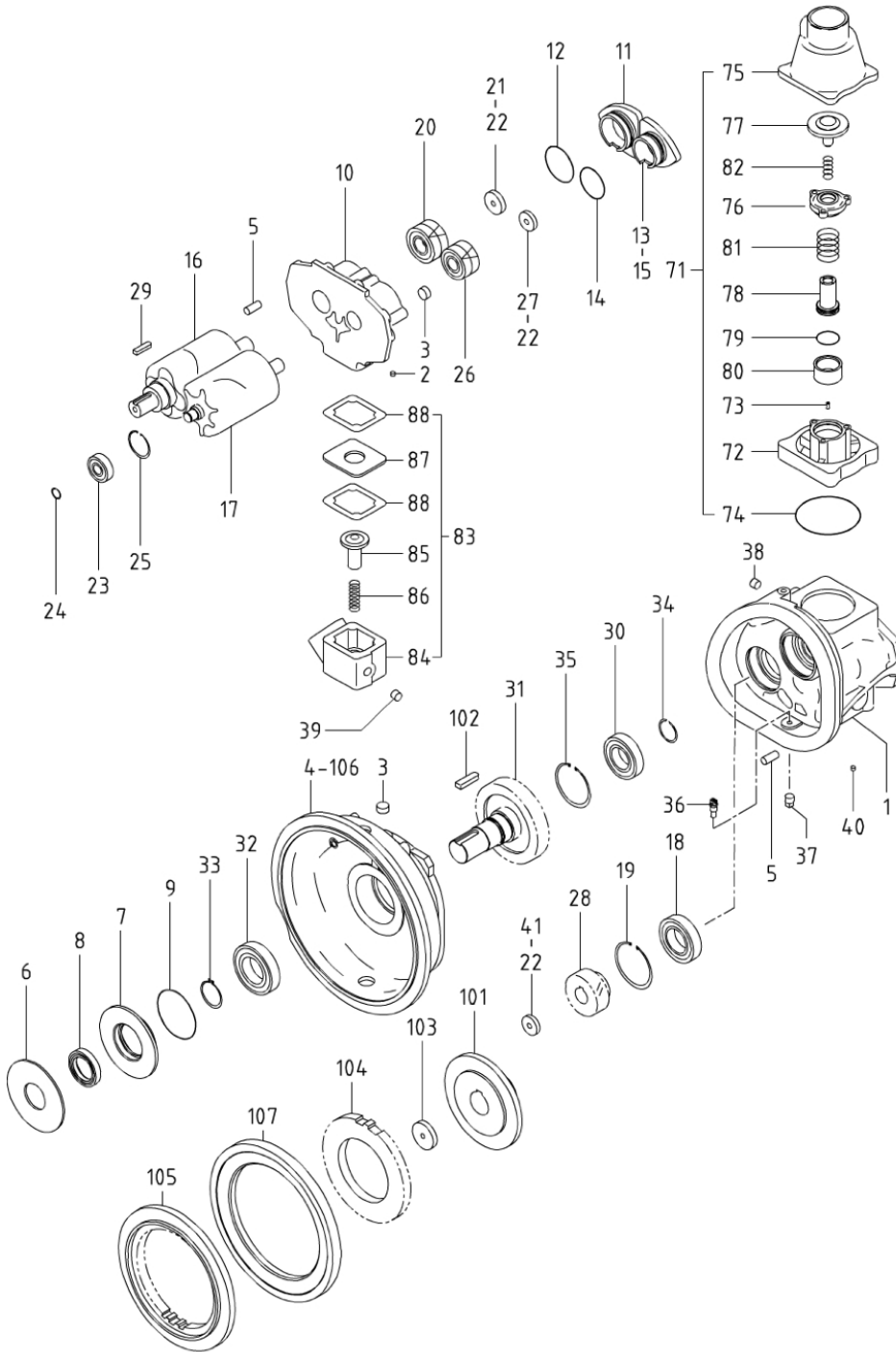
52-01 - LINING-PDS185S-6B4

Diag #	Part #	Description	ITC	Serial/Date	Qty	Notes
31	52959 02450	Lining			1	
31	52959 03850	Lining	B	6B40053~	1	



21-01 - AIR END-PDS185S-6B4

21 - 01 AIR END (PDS130/185S)





21-01 - AIR END-PDS185S-6B4

Diag #	Part #	Description	ITC	Serial/Date	Qty	Notes
	21000 00212	COMPRESSION GROUP		6B40051~		
	21000 14913	COMPRESSION GROUP	B	6B42431~		
1	21201 36002	Cylinder			1	
1	21201 38900	Cylinder	B	6B42431~	1	
1	21201 39100	Cylinder	B	* * *~	1	
1	02280 10030	Socket bolt			6	
2	03620 60001	Plug			2	
2	03620 60002	Plug	B	6B42431~	2	
3	03620 60003	Plug			1	
3	03620 60003	Plug		6B42431~	1	This part is no longer used from this S/N forward.
4	21214 12901	Casing			1	
4	21214 16100	Casing	B	6B42431~	1	
4	21214 16400	Casing	B	* * *~	1	
4	02280 10030	Socket bolt			8	
4	02280 10060	Socket bolt			5	
5	03316 14036	Pin			4	
5	03316 14028	Pin	B	6B42431~	4	
6	21212 07501	Cover			1	
6	02270 08025	Socket bolt. w/w			4	
6	21212 18000	Cover	B	6B42431~	1	
6	02280 10030	Socket bolt	B	6B42431~	5	
6	03115 40010	Spring washer		6B42431~	5	This is a new part starting with this S/N forward.
7	21212 14600	Cover			1	
7	21212 17900	Cover	B	6B42431~	1	
8	21211 10800	Oil seal			1	
9	03402 10095	O-ring			1	
10	21217 26601	Casing			1	
10	21217 30100	Casing	B	6B42431~	1	
10	21217 30600	Casing	B	* * *~	1	
10	02280 10030	Socket bolt			6	
10	02280 10100	Socket bolt			2	
11	21218 30400	End cover			1	
11	21218 33500	End cover	B	6B42431~	1	
11	02270 08030	Socket bolt			3	

MMD Equipment. Equip with the Pros.
All prices are subject to change without notice.



21-01 - AIR END-PDS185S-6B4

Diag #	Part #	Description	ITC	Serial/Date	Qty	Notes
12	22314 02500	O-ring			1	
13	21218 30500	End cover			1	
13	21218 33400	End cover	B	6B42431~	1	
14	22314 02201	O-ring			1	
14	22314 06200	O-ring	B	6B42272~	1	
15	02280 08030	Socket bolt			3	
15	03115 40008	Spring washer			3	
16	21461 28200	Rotor.male			1	A pair of rotors (male & female) should be ordered.
16	21461 31600	Rotor.male	B	6B42108~	1	A pair of rotors (male & female) should be ordered.
17	21462 22300	Rotor.female			1	A pair of rotors (male & female) should be ordered.
18	21406 29900	Bearing			1	
19	03413 20090	Snap ring			1	
20	21470 14300	Bearing.complete			1	
21	21468 02700	Plate			1	
22	02280 10030	Socket bolt			3	
22	03115 30010	Lock washer			3	
23	21406 28700	Bearing			1	
24	03413 40020	Snap ring			1	
25	03413 20052	Snap ring			1	
26	21470 14400	Bearing.complete			1	
27	21468 09200	Plate			1	
28	21467 17600	Gear.driven			1	
28	21467 26200	Gear,driven	B	6B42108~	1	
29	03307 10040	Key			1	
30	21406 28500	Bearing			1	
31	21469 18100	Gear.drive			1	
32	03410 06211	Bearing			1	
33	03413 10055	Snap ring			1	
34	03413 40045	Snap ring			1	
35	03413 20085	Snap ring			1	
36	21207 03800	Nozzle			1	



21-01 - AIR END-PDS185S-6B4

Diag #	Part #	Description	ITC	Serial/Date	Qty	Notes
36	22123 01100	Orifice		***~	1	This is a new part starting with this S/N forward.
37	03620 41003	Plug		***~	1	This part is no longer used from this S/N forward.
40	03620 60002	Plug		***~	3	This is a new part starting with this S/N forward.
41	21468 09200	Plate			1	
41	21468 02700	Plate	B	6B42108~	1	
71	22100 37302	Unloader ass'y			1	INCL. No. 72~82
72	22111 25500	Body			1	
72	03115 40010	Spring washer			4	
72	22111 27200	Body	B	6B42171~	1	
72	02280 10060	Socket bolt			4	
72	03115 40010	Spring washer			4	
73	22123 02400	Orifice			1	
74	03402 10115	O-ring			1	
75	22115 08500	Cover			1	
75	22115 10600	Cover	B	6B42171~	1	
76	22115 07200	Cover			1	
76	02282 08025	Socket bolt			3	
77	22150 11500	Valve			1	
78	22130 08101	Piston			1	
79	21441 03000	O-ring			1	
80	23124 14400	Bushing			1	
81	22144 12900	Spring			1	
82	22144 15000	Spring			1	
83	22200 15400	Check valve ass'y			1	INCL. No. 84~88
83	22200 16700	Check valve ass'y	B	6B42431~	1	INCL. No. 84~88
84	22211 13000	Body			1	
84	22211 13700	Body	B	6B42431~	1	
84	02280 10100	Socket bolt			4	
84	03115 40010	Spring washer			4	
85	22230 01700	Valve			1	
86	22144 02300	Spring			1	
87	22240 01700	Spacer		6B42431~	1	This part is no longer used from this S/N forward.



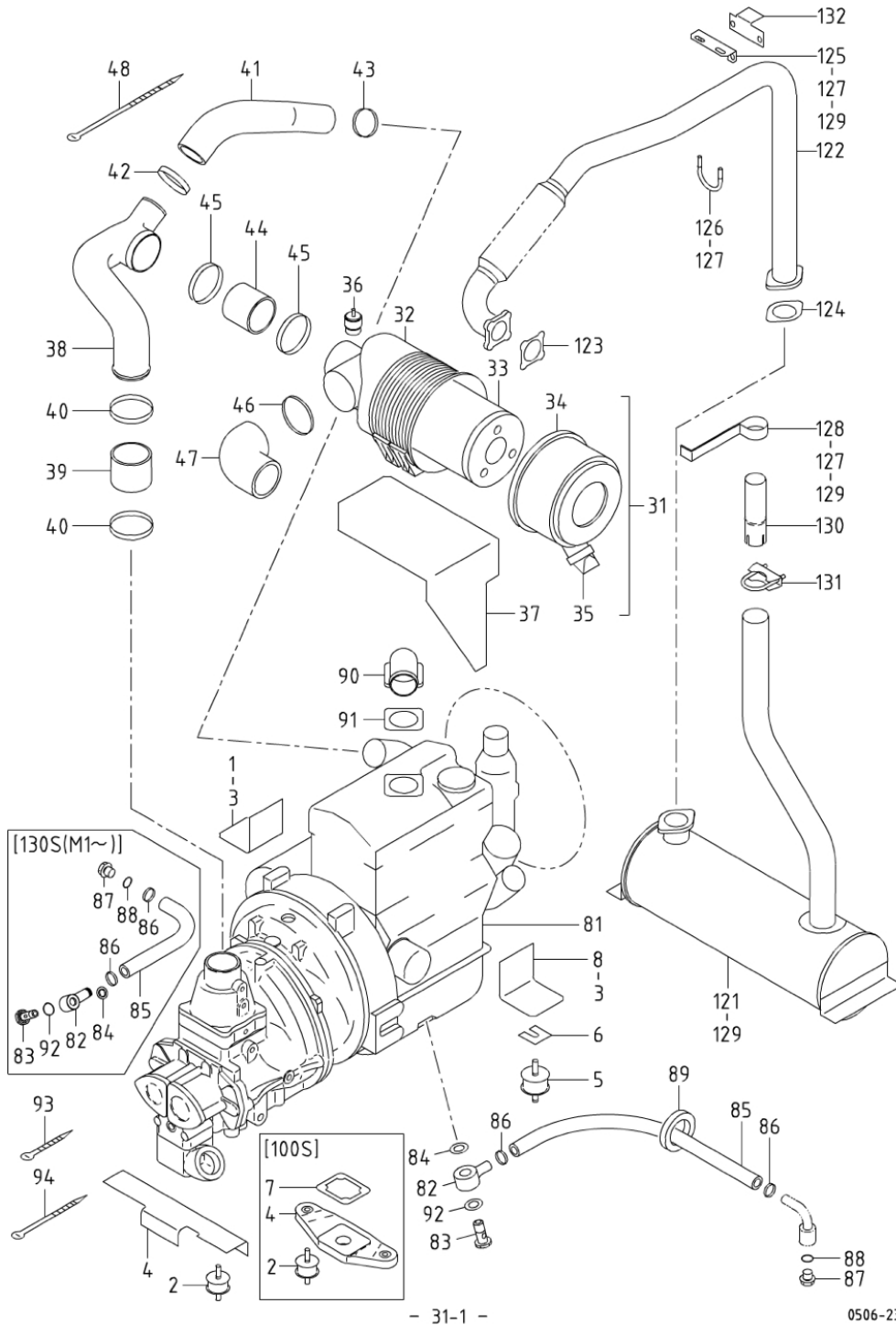
21-01 - AIR END-PDS185S-6B4

Diag #	Part #	Description	ITC	Serial/Date	Qty	Notes
88	21219 11200	Gasket			2	
88	21219 11200	Gasket	Q	6B42431~	1	
101	21420 14000	Coupling driven			1	
102	03307 14050	Key			1	
103	21468 04400	Plate			1	
103	02282 10030	Socket bolt			1	
103	03115 30010	Lock washer			1	
104	21412 05002	Gear.driven			1	
104	02135 10035	Bolt			6	
104	03115 02010	Spring washer			6	
104	21414 06000	Washer			6	
105	61111 12100	Gear.drive			1	
105	02280 08030	Socket bolt			6	
105	03115 40008	Spring washer			6	
106	02238 10030	Bolt (w/washer)			12	



31-00 - MOUNTING INTAKE ENGINE AND EXHAUST-PDS185S-6B4

31 - 00 MOUNTING, INTAKE, ENGINE & EXHAUST



MMD Equipment. Equip with the Pros.
All prices are subject to change without notice.



31-00 - MOUNTING INTAKE ENGINE AND EXHAUST-PDS185S-6B4

Diag #	Part #	Description	ITC	Serial/Date	Qty	Notes
1	31110 81400	Bracket			1	
1	31110 89800	Bracket	B	6B40469~	1	
2	31130 14200	Vibration isolator ass'y			2	
2	31130 02800	Vibration isolator ass'y	B	6B40469~	2	
2	02915 00010	Hexagon flange nut			4	
3	02238 10035	Bolt (w/washer)			6	
3	02135 10035	Bolt	B	6B40292~	6	
3	02135 10035	Bolt	Q	6B40469~	8	
3	03115 02010	Spring washer		6B40292~	6	This is a new part starting with this S/N forward.
3	03115 02010	Spring washer	Q	6B40469~	8	
4	31110 87300	Bracket			1	
4	31110 90300	Bracket	B	6B40469~	1	
4	02138 12025	Bolt			2	
4	03115 02010	Spring washer			2	
5	31130 20500	Vibration isolator ass'y			2	
5	02915 00012	Hexagon flange nut			4	
5	GG160 00100	Vibration isolator ass'y	B	6B40469~	2	
5	02915 00010	Hexagon flange nut	B	6B40469~	4	
6	31120 03500	Shim			2	
8	31110 81500	Bracket			1	
8	31110 89700	Bracket	B	6B40469~	1	
31	32100 38500	Air filter ass'y			1	INCL. No. 32~36
31	32100 41100	Air filter ass'y	B	* * *~	1	INCL. No. 32~35
31	02201 08012	Flange bolt			4	
32	* * *				1	
33	32143 12700	Element			1	Part to be selected.
33	32143 12600	Element			1	Part to be selected.
34	32142 10200	Cup			1	
35	32151 01600	Vacuator valve			1	
36	32148 00100	Filter service indicator			1	
37	32240 29701	Bracket			1	
37	02201 10020	Flange bolt			2	
37	02248 10035	Bolt. w/w			1	
38	32320 61200	Pipe			1	
39	32331 45000	Hose			1	



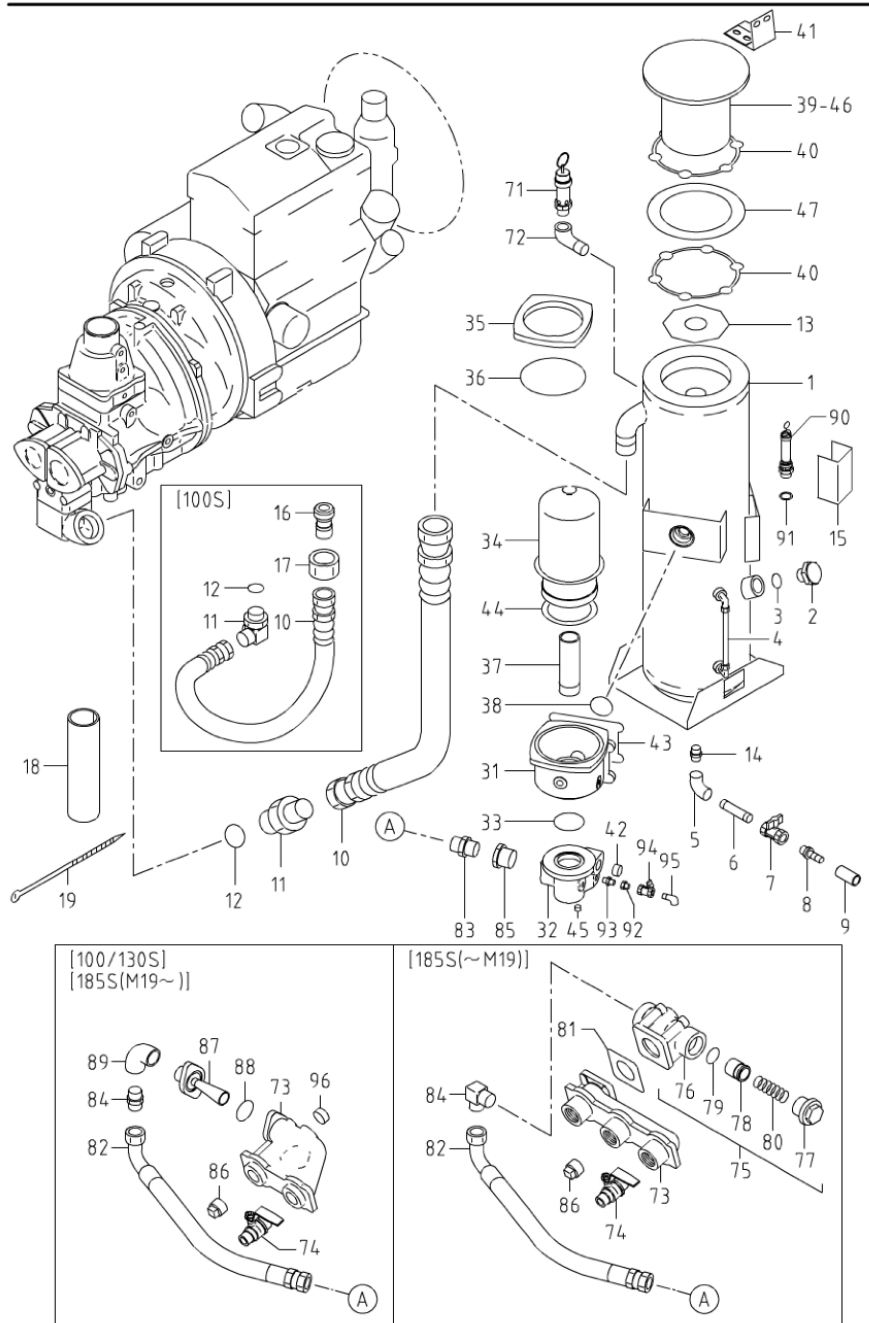
31-00 - MOUNTING INTAKE ENGINE AND EXHAUST-PDS185S-6B4

Diag #	Part #	Description	ITC	Serial/Date	Qty	Notes
40	03511 20100	Hose clip			2	
41	32331 63100	Hose			1	
43	03511 20080	Hose clip			1	
44	03550 89007	Hose			1	
45	03511 20100	Hose clip			2	
48	03425 00003	Vinyl clip			1	
81	TD2714	Engine(NISSAN DIESEL TD2714)			1	
81	15208 43G00	NISSAN DIESEL			1	
81	11720 43G01	Fan belt :NISSAN DIESEL			1	
82	43534 01702	Ring connector			1	
83	43532 05201	Nipple			1	
84	03407 16022	Gasket			1	
85	03580 19083	Hose			1	
86	03511 20035	Hose clip			2	
87	03620 20020	Plug			1	
88	03407 14020	Gasket			1	
89	03402 00603	Eyelet ring			1	
90	32310 18700	Pipe			1	
90	02135 08025	Bolt			2	
90	02135 00080	Bolt			2	
90	03115 02008	Spring washer			4	
91	32334 02700	Gasket			1	
91	14327 09W00	NISSAN: Gasket			1	
92	03407 16022	Gasket			1	
121	42100 71100	Exhaust muffler			1	
122	42310 81100	Pipe			1	
122	02135 10025	Bolt			4	Eng. side
122	03115 02010	Spring washer			4	Eng. side
123	42324 07100	Gasket			1	
124	42324 13600	Gasket			1	
125	42240 24100	Bracket			1	
126	03830 08004	U-bolt			1	
127	02915 00008	Hexagon flange nut			4	
129	02201 08020	Flange bolt			4	



33-00 - RECEIVER SEPARATOR AND SERVICE HEADER-PDS185S-6B4

33 - 00 RECEIVER , SEPARATOR & SERVICE HEADER





33-00 - RECEIVER SEPARATOR AND SERVICE HEADER-PDS185S-6B4

Diag #	Part #	Description	ITC	Serial/Date	Qty	Notes
1	33100 30310	Receiver tank [SILVAN]			1	(Incl. No. 2,3 & 39)
1	02201 10030	Flange bolt			4	
2	* * *				1	
3	* * *				1	
4	03841 30015	Nylon tube. w/n			1	
4	03734 21030	Nipple elbow			2	
5	03731 20004	Elbow			1	
6	03730 04080	Gas pipe			1	
7	03735 13004	Valve			1	
8	03734 60144	Nipple			1	
9	03570 15008	Hose			1	
10	37160 86510	Pipe [SILVAN]			1	
11	GD920 12800	Nipple			1	(Incl. No. 12)
12	03402 25044	O-ring			1	
13	33115 16800	Plate			1	
13	02201 08020	Flange bolt			2	
14	03731 42004	Nipple			1	
31	34210 27100	Casing			1	
31	02238 08030	Bolt. w/w			4	
31	03116 12008	Plain washer			4	
32	34280 00101	Cover			1	
32	02283 08030	Socket bolt			3	
32	03115 30008	Lock washer			3	
33	03402 15060	O-ring			1	
34	34220 12801	Separator			1	Incl. Plate
34	39176 74400	Plate (caution)			1	
35	34250 18301	Cover			1	
35	02283 10035	Socket bolt			4	
35	03115 30010	Lock washer			4	
36	03402 15140	O-ring			1	
37	03729 12140	Gas pipe			1	
38	03402 25040	O-ring			1	
39	34250 21900	Cover [SILVAN]			1	
40	34215 04700	Gasket [SILVAN]			1	
41	33260 05900	Bracket [SILVAN]			1	
41	02201 08020	Flange bolt			2	

MMD Equipment. Equip with the Pros.
All prices are subject to change without notice.



33-00 - RECEIVER SEPARATOR AND SERVICE HEADER-PDS185S-6B4

Diag #	Part #	Description	ITC	Serial/Date	Qty	Notes
41	02915 00008	Hexagon flange nut			2	
43	31120 14000	Shim			4	
43	31120 14000	Shim		6B40228~	4	This part is no longer used from this S/N forward.
45	03620 41002	Plug		, 0000-00-00-0000-00-00	1	
44	21222 09200	Washer		, 0000-00-00-0000-00-00	1	
44	21222 09200	Washer		6B40051~~, 0000-00-00-0000-00-00		
46	02135 10030	Bolt		, 0000-00-00-0000-00-00	5	
46	02135 10035	Bolt		, 0000-00-00-0000-00-00	1	Bracket side
46	34262 02800	Bolt [HOKUETSU]	B	6B42172~, 0000-00-00-0000-00-00	10	
46	02135 10035	Bolt		6B42172~, 0000-00-00-0000-00-00	1	Bracket side;This part is no longer used from this S/N forward.
46	03115 02010	Spring washer		6B40050~, 0000-00-00-0000-00-00	6	This is a new part starting with this S/N forward.
46	03115 02010	Spring washer	Q	6B42172~, 0000-00-00-0000-00-00	10	
46	03116 12010	Plain washer		6B40050~, 0000-00-00-0000-00-00	6	This is a new part starting with this S/N forward.
46	03116 12010	Plain washer	Q	6B42172~, 0000-00-00-0000-00-00	1	
46	21414 06000	Washer		6B42172~, 0000-00-00-0000-00-00	9	This is a new part starting with this S/N forward.
47	34252 05100	Plate		6B42172~, 0000-00-00-0000-00-00	1	This is a new part starting with this S/N forward.
71	35200 14100	Safety valve ass'y		, 0000-00-00-0000-00-00	1	
72	37740 01400	Elbow		, 0000-00-00-0000-00-00	1	
73	35100 45000	Air manifold		, 0000-00-00-0000-00-00	1	
73	02201 08020	Flange bolt		, 0000-00-00-0000-00-00	4	
74	35421 00105	Air valve		, 0000-00-00-0000-00-00	2	

MMD Equipment. Equip with the Pros.
All prices are subject to change without notice.



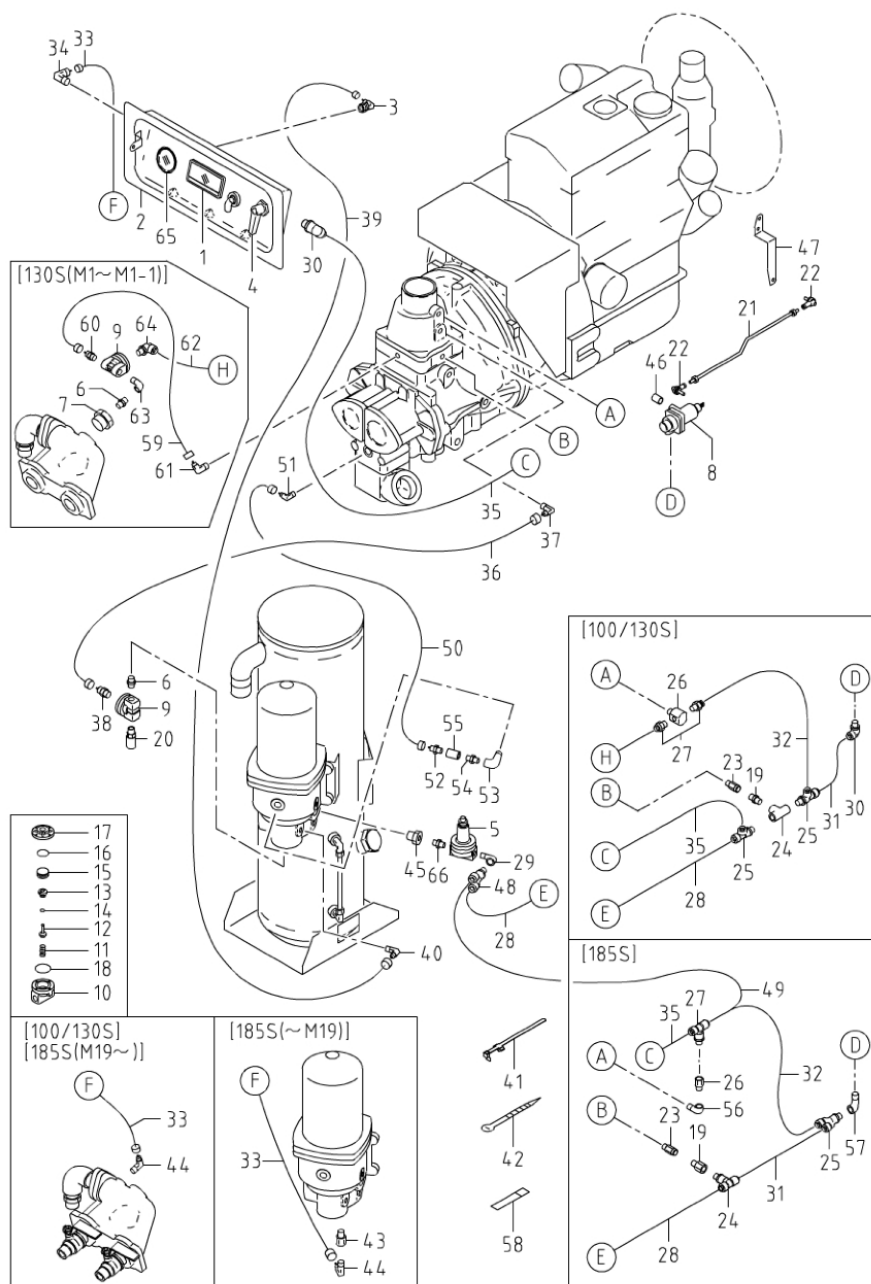
33-00 - RECEIVER SEPARATOR AND SERVICE HEADER-PDS185S-6B4

Diag #	Part #	Description	ITC	Serial/Date	Qty	Notes
82	37160 07820	Pipe		, 0000-00-00~0000-00-00	1	
83	03734 43080	Nipple		, 0000-00-00~0000-00-00	1	
84	03734 43080	Nipple		, 0000-00-00~0000-00-00	1	
85	03732 01208	Bush		, 0000-00-00~0000-00-00	1	
86	03620 41008	Plug		, 0000-00-00~0000-00-00	1	
87	35320 02100	Orifice		, 0000-00-00~0000-00-00	1	
87	02249 08035	Bolt,w/w		, 0000-00-00~0000-00-00	2	
88	03402 20042	O-ring		, 0000-00-00~0000-00-00	1	
89	03731 20008	Elbow		, 0000-00-00~0000-00-00	1	
92	03732 00302	Bush		, 0000-00-00~0000-00-00	1	
93	03731 42002	Nipple		, 0000-00-00~0000-00-00	1	
94	03735 13003	Valve		, 0000-00-00~0000-00-00	1	
95	03731 21003	Elbow		, 0000-00-00~0000-00-00	1	
96	03620 41008	Plug		, 0000-00-00~0000-00-00	1	



36-00 - AIR LINE-PDS185S-6B4

36 - 00 AIR LINE





36-00 - AIR LINE-PDS185S-6B4

Diag #	Part #	Description	ITC	Serial/Date	Qty	Notes
1	36100 06800	Instrument panel ass'y			1	
1	36149 02700	Hour meter			1	This part can not be supplied as an individual part.
1	52416 19400	Window glass			1	
1	46161 10100	Pilot lamp			1	(lamp ass'y)
1	02345 65020	Screw			4	
1	03115 06005	Spring washer			4	
1	03116 12005	Plain washer			4	
2	36110 88600	Instrument panel			1	
2	02915 00006	Hexagon flange nut			9	
3	36152 02500	Bushing			1	
4	35421 01600	Air valve			1	
5	36400 19000	Regulator ass'y			1	
5	36400 19000	Regulator ass'y			1	
6	03731 42002	Nipple			1	
8	36400 19200	Regulator ass'y			1	
8	02138 08040	Bolt			2	
8	03115 02008	Spring washer			2	
8	03116 12008	Plain washer			2	
9	36600 03501	Auto-relief valve ass'y			1	INCL. No. 10~18
10	36610 00401	Body			1	
11	22144 10600	Spring			1	
12	36429 00800	Needle valve			1	
13	36428 00700	Valve seat			1	
14	03402 25008	O-ring			1	
15	36623 00800	Piston			1	
16	03402 25021	O-ring			1	
17	36621 01401	Cover			1	
17	02270 04012	Socket bolt			4	
18	21221 02100	O-ring			1	
20	35440 01702	Silencer			1	
21	36280 29301	Rod			1	
21	36280 31500	Rod	B	6B40276~	1	
21	02912 08008	Nut			2	
22	36230 00600	Rod end ass'y			2	
22	02915 20006	Nut (w/washer)			2	

MMD Equipment. Equip with the Pros.
All prices are subject to change without notice.



36-00 - AIR LINE-PDS185S-6B4

Diag #	Part #	Description	ITC	Serial/Date	Qty	Notes
23	22200 15600	Check valve ass'y			1	
24	03734 66020	Tee nipple			1	
25	03734 65020	Nipple elbow			1	
26	37189 09700	Bushing			1	
27	03734 66020	Tee nipple			1	
28	03890 20078	Nylon tube			1	
28	44463 11900	Tube			1	
29	03731 21002	Elbow			1	
30	03734 65020	Nipple elbow			1	
31	03890 20032	Nylon tube			1	
33	03840 30031	Nylon tube. w/n			1	
34	03734 21032	Nipple elbow			1	
35	03890 20046	Nylon tube			1	
36	03840 20048	Nylon tube. w/n			1	
37	03734 21020	Nipple elbow			1	
38	03734 20020	Nipple			1	
39	03840 15090	Nylon tube. w/n			1	
39	44463 07100	Tube			1	
40	03734 21015	Nipple elbow			1	
41	37181 03600	Clip			1	
42	03425 00001	Vinyl clip			5	
44	03734 21032	Nipple elbow			1	
45	03732 00602	Bush			1	
46	03791 15002	Pipe			1	
47	36260 12100	Lever			1	
47	02248 06016	Bolt (w/washer)			2	
48	03734 68020	Y-nipple			1	
49	03890 20070	Nylon tube			1	
49	44463 11900	Tube			1	
50	03841 20140	Nylon tube. w/n)			1	
50	44463 17100	Tube			1	
51	03734 21023	Nipple elbow			1	
52	03734 20020	Nipple			1	
53	03731 21002	Elbow		0000-00-00-0000-00-00	1	
54	22200 07400	Check valve ass'y			1	



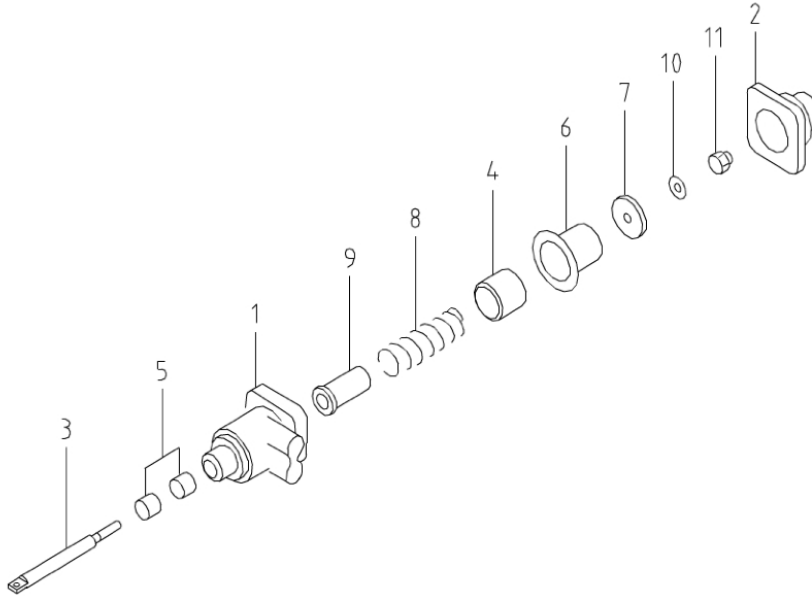
36-00 - AIR LINE-PDS185S-6B4

Diag #	Part #	Description	ITC	Serial/Date	Qty	Notes
55	03731 11002	Socket			1	
58	03424 80101	Clip			1	



36-01 - REGULATOR-PDS185S-6B4

36 - 01 REGULATOR





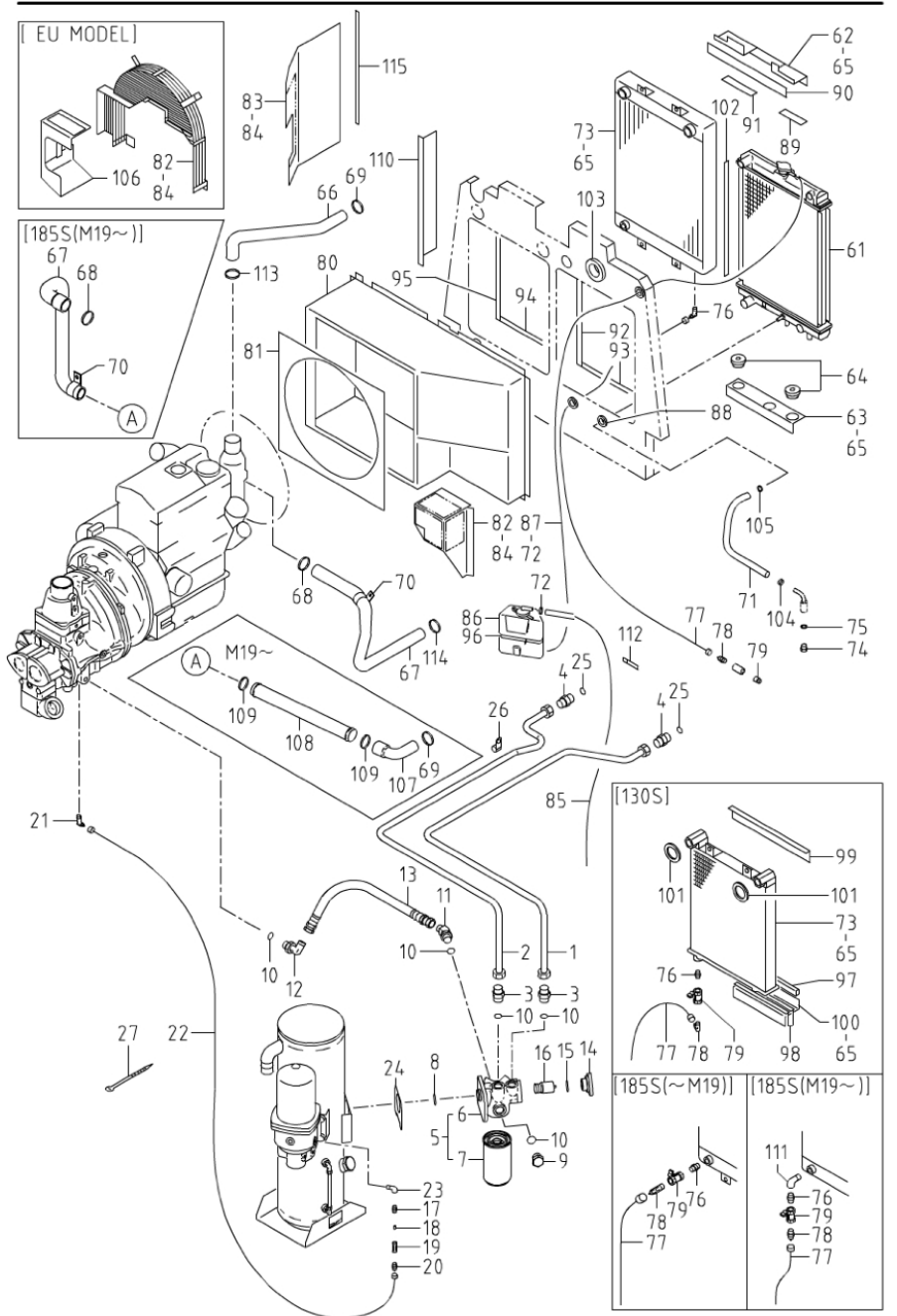
36-01 - REGULATOR-PDS185S-6B4

Diag #	Part #	Description	ITC	Serial/Date	Qty	Notes
	36400 19200	Regulator ass'y			1	
1	36421 03600	Body			1	
2	36422 01501	Cap			1	
2	02283 06025	Socket bolt			4	
2	03115 40006	Spring washer			4	
3	22152 04900	Shaft			1	
4	22130 05500	Piston			1	
5	23124 10300	Bushing			2	
6	36437 01500	Diaphragm			1	
7	36435 01400	Washer			1	
8	22144 12800	Spring			1	
9	31144 09900	Spacer			1	
9	31144 09900	Spacer			1	49 HP ONLY
10	34232 00300	Gasket			1	
11	02914 60008	Locking nut			1	



37-00 - OIL LINE AND COOLING-PDS185S-6B4

37 - 00 OIL LINE & COOLING





37-00 - OIL LINE AND COOLING-PDS185S-6B4

Diag #	Part #	Description	ITC	Serial/Date	Qty	Notes
1	37112 42400	Pipe			1	
2	37114 18900	Pipe			1	
3	03734 75060	Nipple			2	Incl. No. 10
4	03734 75060	Nipple			2	Incl. No. 25
5	37400 12900	Oil filter ass'y			1	INCL. No. 6.7
5	02238 08030	Bolt. w/w			4	
5	03116 12008	Plain washer			4	
6	37410 00500	Filter complete			1	Incl. Relief valve
7	37438 05201	Filter cartridge			1	
8	03402 25040	O-ring			1	
9	37430 00900	Plug			1	
10	03402 25024	O-ring			5	
11	GD920 13100	Nipple elbow			1	Incl. No. 10
12	GD920 13600	Nipple elbow			1	Incl. No. 10
13	37160 92700	Pipe			1	
14	37215 02602	Cover			1	
14	02238 08025	Bolt,w/w			3	
14	03116 12008	Plain washer			3	
15	03402 15060	O-ring			1	
16	37231 02100	Pellet ass'y			1	
17	22200 07400	Check valve ass'y			1	
18	36580 00200	Filter			1	
19	37460 03200	Orifice			1	
20	03734 20201	Nipple			1	
21	03734 21020	Nipple elbow			1	
22	03841 20056	Nylon tube. w/n			1	
22	03841 20066	Nylon tube. w/n	B	6B42431~	1	
22	44463 06900	Tube			1	
22	44463 03400	Tube	B	6B42431~	1	
23	03731 21002	Elbow			1	
24	31120 14000	Shim			4	
24	31120 14000	Shim		6B40228~	4	This part is no longer used from this S/N forward.
25	03402 25024	O-ring			2	
26	37181 05000	Clip			2	
26	02201 08020	Flange bolt			2	

MMD Equipment. Equip with the Pros.
All prices are subject to change without notice.



37-00 - OIL LINE AND COOLING-PDS185S-6B4

Diag #	Part #	Description	ITC	Serial/Date	Qty	Notes
26	02915 00008	Hexagon flange nut			2	
61	38100 41300	Radiator			1	
61	38410 05700	Cap			1	
62	38420 73001	Bracket			1	
63	38420 76500	Bracket			1	
64	31131 04900	Rubber			2	
65	02201 08020	Flange bolt			8	
66	38524 54600	Hose (upper)			1	
67	38524 54500	Hose (lower)			1	
68	03511 20050	Hose clip			1	
69	03511 20040	Hose clip			1	
70	03424 80218	Clip			1	
70	03116 12008	Plain washer			1	
71	03611 08039	Hose			1	
72	03511 40016	Hose clip			3	
73	38200 32500	Oil cooler			1	
74	03620 20010	Plug			1	
75	03407 14010	Gasket			1	
76	03731 42003	Nipple			1	
77	03841 30035	Nylon tube (w/n)			1	
78	03734 20030	Nipple			1	
79	03735 13003	Valve			1	
81	38440 89200	Shroud.fan			1	
81	02248 06012	Bolt (w/washer)			6	
82	38450 64501	Guard.fan			1	
83	38450 64300	Guard.fan			1	
84	02248 06012	Bolt (w/washer)			6	
85	38594 02600	Hose			1	
86	38590 01200	Reserve tank			1	
87	38594 02800	Hose			1	
88	03403 00303	Grommet			2	
89	03407 65425	Seal rubber			1	
90	03407 66410	Seal rubber			1	
91	03407 65426	Seal rubber			1	
92	03407 67405	Seal rubber			2	
93	03407 66936	Seal rubber			2	

MMD Equipment. Equip with the Pros.
All prices are subject to change without notice.



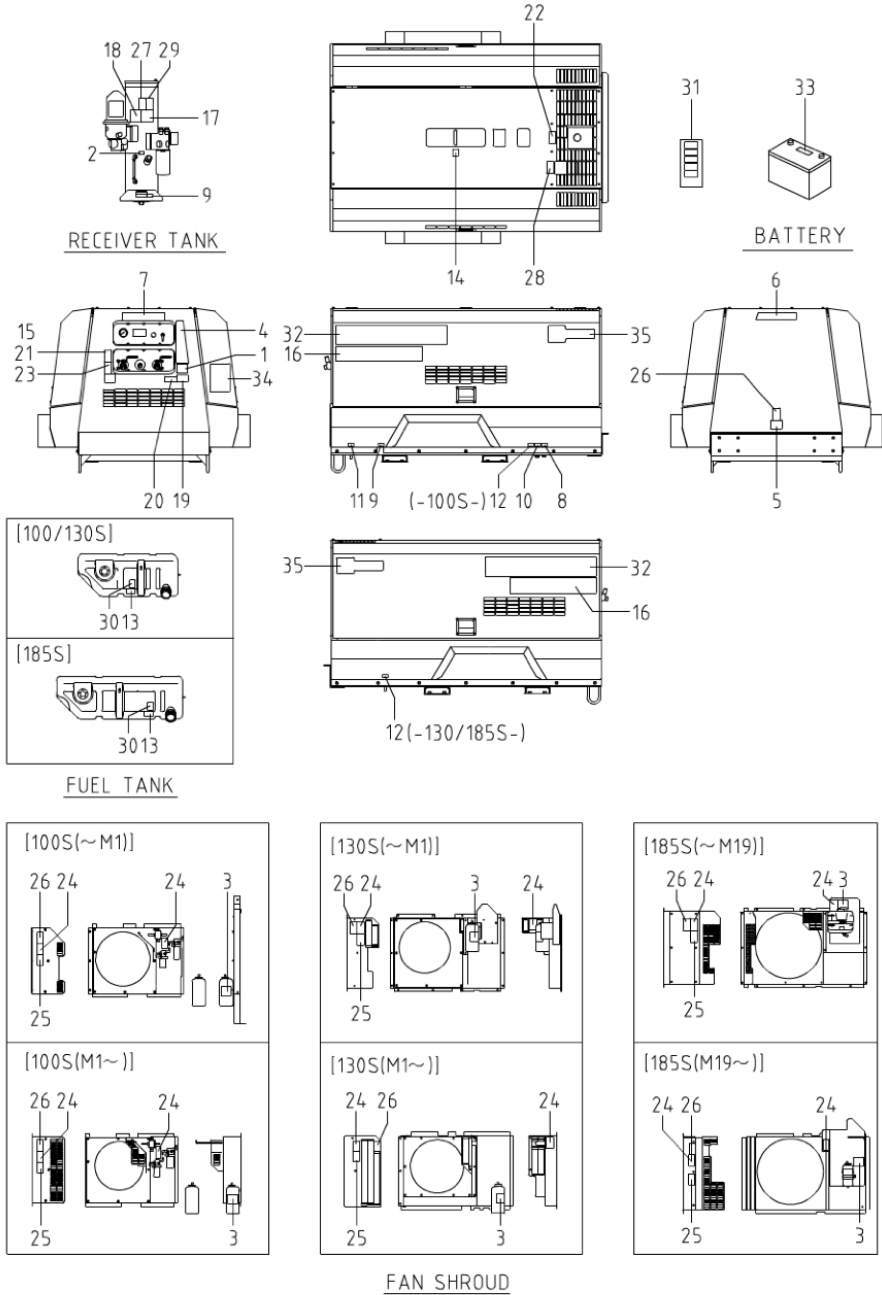
37-00 - OIL LINE AND COOLING-PDS185S-6B4

Diag #	Part #	Description	ITC	Serial/Date	Qty	Notes
94	03407 66819	Seal rubber			2	
95	03407 66842	Seal rubber			2	
96	03511 30155	Hose clip			1	
102	03407 67405	Seal rubber			1	
104	03511 40018	Hose clip			1	
105	03511 40018	Hose clip			1	
107	38524 54400	Hose			1	
108	38510 33000	Pipe			1	
109	03511 20045	Hose clip			2	
110	38441 87000	Plate			1	
110	02248 06012	Bolt (w/washer)			3	
110	02915 00006	Hexagon flange nut			2	
111	03731 21003	Elbow			1	
112	03424 80101	Clip			2	
113	03511 20050	Hose clip			1	
114	03511 20040	Hose clip			1	



39-00 - NAME PLATE-PDS185S-6B4

39 - 00 NAME PLATE (US MODEL)





39-00 - NAME PLATE-PDS185S-6B4

Diag #	Part #	Description	ITC	Serial/Date	Qty	Notes
	39615 02000	Instruction book				
	39616 01400	Parts catalog				
1	39103 10810	Plate			1	
1	03260 03010	Blind rivet			4	
3	39178 00310	Plate(LLC)			1	
4	39153 57600	Plate (start-stop)			1	
5	39178 37310	Plate (caution, tow machine)			1	
6	39170 02000	Mark			1	
7	39178 47510	Plate (AIRMAN)			1	
8	39189 03600	Plate (Eng. Oil drain)			1	
8	39189 17300	Plate (Eng. Oil drain)			1	This part can not be supplied as an individual part.
9	39189 03500	Plate (receiver drain)			1	
9	39189 17500	Plate(receiver drain)			1	This part can not be supplied as an individual part.
9	39189 19100	Plate (receiver oil drain)		6B40708~	2	This part can not be supplied as an individual part.
10	39189 05400	Plate (radiator drain)			1	
10	39189 17200	Plate (radiator drain)			1	This part can not be supplied as an individual part.
11	39189 03300	Plate(fuel drain)			1	
11	39189 17100	Plate (fuel drain)			1	This part can not be supplied as an individual part.
12	39189 12800	Plate (oil cooler drain)			1	
12	39189 17400	Plate (oil cooler drain)			1	This part can not be supplied as an individual part.
13	39178 72500	Plate (diesel fuel oil)			1	
14	39176 69300	Plate			1	
15	39178 32320	Plate			1	
16	39178 01120	Plate (PDS185S)			2	
17	39147 02800	Plate			1	
18	39176 72100	Plate (caution.strainer)			1	
19	39178 70310	Plate(ISO9001)			1	

MMD Equipment. Equip with the Pros.
All prices are subject to change without notice.



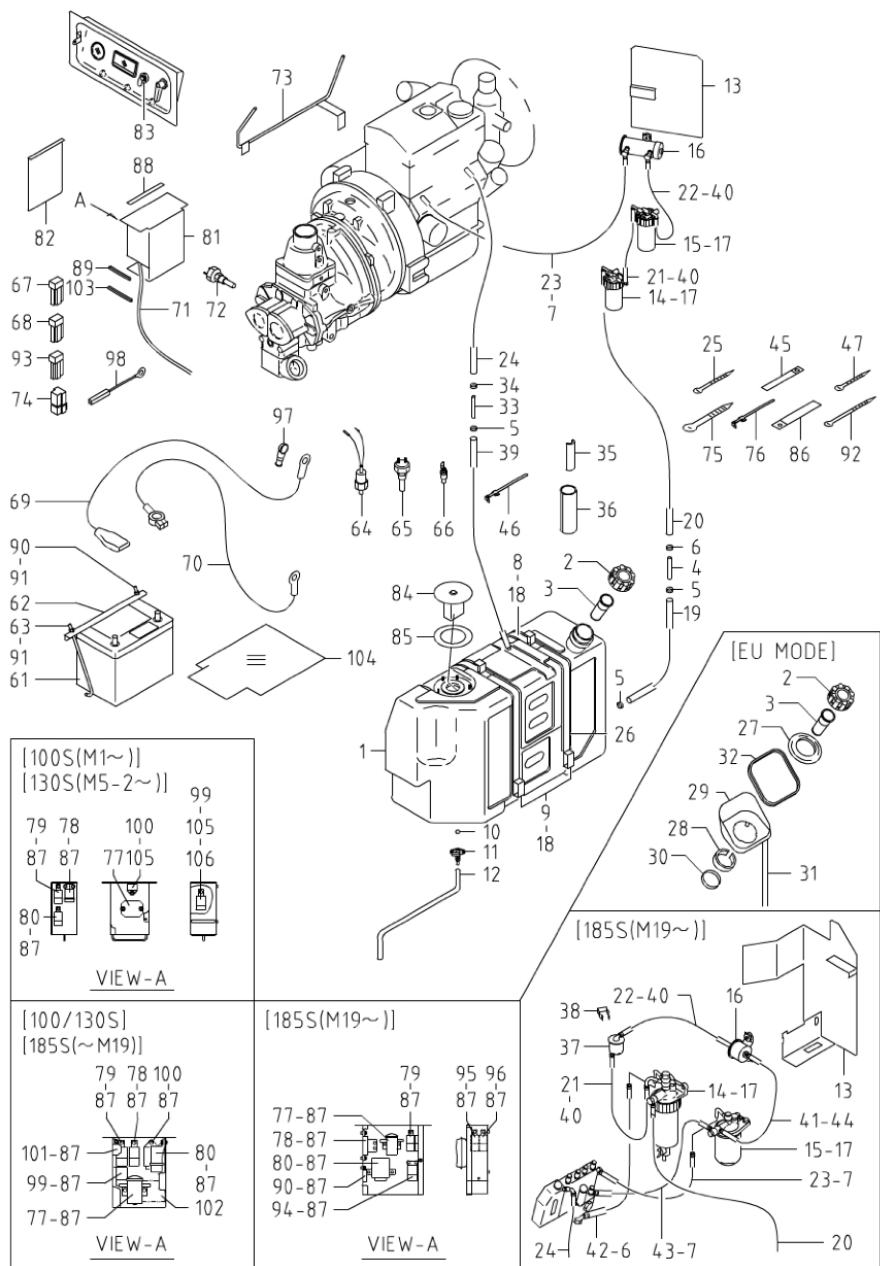
39-00 - NAME PLATE-PDS185S-6B4

Diag #	Part #	Description	ITC	Serial/Date	Qty	Notes
20	39178 43110	Plate			1	
21	39176 73600	Plate (caution,compressed air)			1	
22	39176 73300	Plate (caution,exhaust gases)			1	
23	39176 73400	Plate (caution,compressed air)			1	
24	39176 73500	Plate (caution,rotation)			2	
25	39176 73800	Plate (caution,rotation)			1	
26	39176 69500	Plate			2	
27	39176 69700	Plate			1	
28	39176 69600	Plate			1	
29	39176 69800	Plate			1	
30	39176 35600	Plate (No fire)			1	
31	39173 02100	Plate,complete			1	incl. No. 8~12
33	39176 50000	Plate (notice)			1	
34	39178 35620	Plate (MMD EQUIPMENT)		6B40132~	1	This is a new part starting with this S/N forward.
35	39178 35720	Plate (MMD EQUIPMENT)		6B40132~	2	This is a new part starting with this S/N forward.
61	39178 72410	Plate(49 HP)			2	49 HP ONLY



43-00 - FUEL LINE AND ELECTRIC-PDS185S-6B4

43 - 00 FUEL LINE & ELECTRIC





43-00 - FUEL LINE AND ELECTRIC-PDS185S-6B4

Diag #	Part #	Description	ITC	Serial/Date	Qty	Notes
1	43100 43801	Fuel tank			1	
2	43220 02200	Cap			1	
3	43210 01700	Strainer			1	
4	43525 01800	Pipe			1	
5	03511 40020	Hose clip			2	
6	03511 40016	Hose clip			4	
7	03511 10017	Hose clip			2	
8	43310 24600	Belt			2	
9	43310 24701	Belt			2	
9	02138 08035	Bolt			2	
9	02915 00008	Hexagon flange nut			2	
9	03115 02008	Spring washer			2	
9	03116 12008	Plain washer			2	
10	03402 25014	O-ring			1	
11	35421 05500	Air valve			1	
11	02248 06012	Bolt (w/washer)			2	
12	03600 08055	Hose			1	
13	43340 24701	Bracket			1	
13	02248 06016	Bolt (w/washer)			4	
14	43550 01000	Sedimenter			1	
14	16400 95006	Element : NISSAN DIESEL			1	
14	03600 06080	Hose (drain)			1	
15	43540 05500	Fuel filter			1	
15	16403 J5500	Element : NISSAN DIESEL			1	
16	43650 01900	Fuel pump			1	
16	02248 06016	Bolt (w/washer)			2	
17	02248 08030	Bolt. w/w			4	
18	02201 08020	Flange bolt			4	
19	03600 09012	Hose			1	
20	03600 08072	Hose			1	
21	43510 06500	Hose			1	
22	03600 06600	Hose			1	
23	03570 08060	Hose			1	
24	03600 09024	Hose			1	
25	03425 00001	Vinyl clip			4	
26	43322 06200	Cushion			4	

MMD Equipment. Equip with the Pros.
All prices are subject to change without notice.



43-00 - FUEL LINE AND ELECTRIC-PDS185S-6B4

Diag #	Part #	Description	ITC	Serial/Date	Qty	Notes
34	03511 40020	Hose clip			2	
37	43540 05600	Fuel filter			1	
37	16400 H8501	Filter : NISSAN			1	
38	43340 20500	Bracket			1	
38	02709 00410	Tapping screw			2	
40	03511 40020	Hose clip			4	
41	03570 08025	Hose			1	
42	03600 08055	Hose			1	
43	03570 08055	Hose			1	
44	03511 10017	Hose clip			2	
45	03424 80011	Clip			1	
45	02248 06016	Bolt (w/washer)			1	
61	44210 06600	Battery			1	80D26R-MF
62	44220 08000	Cover			1	
63	44243 04300	Holder			1	
64	44328 19100	Pressure switch (oil)			1	
65	44334 09300	Thermo switch			1	
67	44470 01600	Fuse box			1	
67	46934 03200	Fuse(10A)			1	
68	44470 01700	Fuse box			1	
68	46934 03300	Fuse (20A)			1	
69	07885 25120	Cable (batt.-->starter)			1	
69	44462 05500	Insulator			1	
70	07885 51040	Cable (-)			1	
71	44490 95522	Wiring harness			1	
72	44334 16500	Thermo switch (air)			1	
73	44290 30400	Guide			1	
73	02201 10020	Flange bolt			1	
74	46921 02300	Silicon rectifire			5	
75	03425 00001	Vinyl clip			18	
76	37181 03600	Clip			3	
77	44335 00800	Magnetic switch			1	
78	44324 05400	Safety relay			1	
79	44346 06300	Relay (ISUZU 582550-0290) (solenoid,air temp.oil press.water temp.)			1	
79	582550-0290	ISUZU Relay			1	

MMD Equipment. Equip with the Pros.
All prices are subject to change without notice.



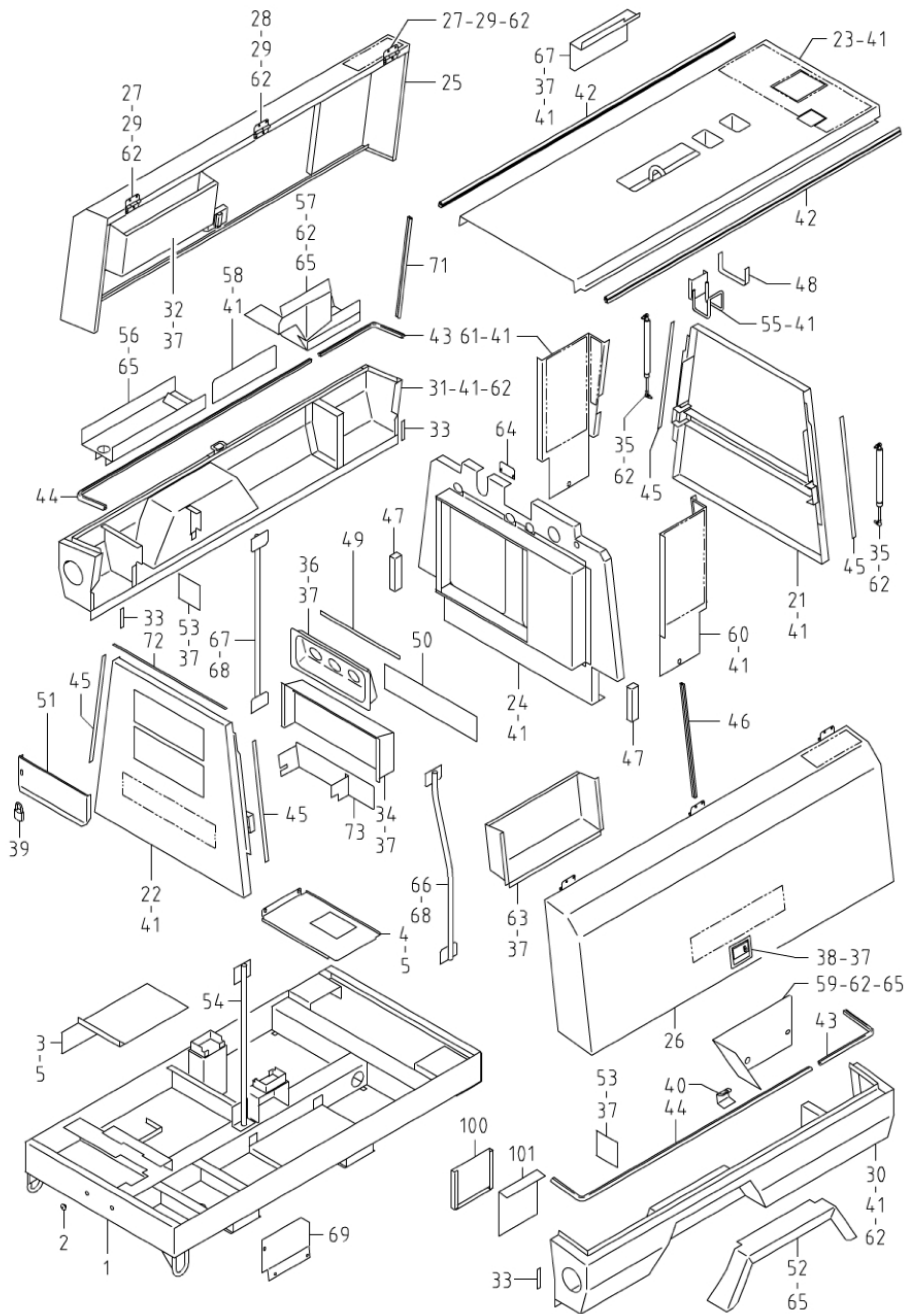
43-00 - FUEL LINE AND ELECTRIC-PDS185S-6B4

Diag #	Part #	Description	ITC	Serial/Date	Qty	Notes
80	44327 04100	Time relay (QOS)			1	
80	11067 90063	NISSAN Relay			1	
81	44250 09810	Bracket			1	
81	02201 08020	Flange bolt			2	
81	44250 10210	Bracket	B	6B40157~	1	
81	02201 08020	Flange bolt	Q	6B40157~	3	
82	44260 25800	Cover			1	
82	02201 06012	Flange bolt			2	
83	44322 07200	Starter switch			1	
83	52739 00600	Key			2	
84	36159 02201	Sending unit			1	INCL. No. 85
84	02915 00005	Hexagon flange nut			5	
85	36153 01600	Gasket			1	
87	02248 06016	Bolt (w/washer)			11	
88	03407 66859	Seal rubber			1	
88	03407 66859	Seal rubber		6B40157~	1	This part is no longer used from this S/N forward.
90	44243 04300	Holder			1	
91	02915 00006	Hexagon flange nut			2	
93	44470 02000	Fuse box			1	
93	46934 04500	Fuse (1A)			1	
94	44346 07200	Relay (glow)			1	
94	25230 18A00	NISSAN Relay			1	
95	44346 07300	Relay			1	
95	25230 C9900	NISSAN Relay			1	
96	44346 07300	Relay			1	
96	25230 C9900	NISSAN Relay			1	
97	44462 00800	Insulator			1	



51-00 - FRAME AND BONNET-PDS185S-6B4

51 - 00 FRAME & BONNET



- 51-1 -

0510-24



51-00 - FRAME AND BONNET-PDS185S-6B4

Diag #	Part #	Description	ITC	Serial/Date	Qty	Notes
1	51100 64630	Frame			1	
1	51100 73931	Frame	B	6B40469~	1	
1	02102 14045	Bolt			8	
1	03115 02014	Spring washer			8	
1	03116 12014	Plain washer			8	
1	02102 14030	Bolt			8	
1	03115 02014	Spring washer			8	
2	03403 10017	Grommet			4	
21	52100 87313	Cover. FRONT			1	
22	52100 09320	Cover. REAR			1	
23	52300 65410	Cover. TOP			1	
23	52300 68711	Cover. TOP	B	6B40157~	1	
24	52350 80211	Cover. RAD MNT			1	
25	52450 46220	Door		, 0000-00-00~0000-00-00	1	
26	52450 46120	Door		, 0000-00-00~0000-00-00	1	
27	52480 13800	Hinge			4	
28	52480 13200	Hinge			2	
29	02191 08020	Bolt			24	
30	53220 63200	Fender		, 0000-00-00~0000-00-00	1	
31	53220 63300	Fender		, 0000-00-00~0000-00-00	1	
32	52800 83700	Duct. LH DOOR			1	
33	03407 65218	Seal rubber			4	
34	52800 75802	Duct. REAR COVER			1	
35	GE360 02100	Dumper			4	
36	52100 13620	Cover. INSTRUMENT MNT			1	
37	02915 00006	Hexagon flange nut			29	
38	52721 05500	Catch			2	
38	02401 26012	Screw			8	
39	52723 00100	Lock ass'y			3	
40	52750 17500	Bracket			2	
40	02401 28020	Screw			4	
41	02201 08020	Flange bolt			72	
42	03407 67520	Seal rubber			2	

MMD Equipment. Equip with the Pros.
All prices are subject to change without notice.



51-00 - FRAME AND BONNET-PDS185S-6B4

Diag #	Part #	Description	ITC	Serial/Date	Qty	Notes
43	03407 67521	Seal rubber			2	
44	03407 67522	Seal rubber			2	
45	03407 67401	Seal rubber			4	
46	03407 67215	Seal rubber			1	
47	03407 67030	Seal rubber			2	
48	03407 45027	Seal rubber			1	
51	52450 41220	Door. CNTL			1	
51	02138 08030	Bolt			2	
51	52744 00900	Washer			2	
51	03116 12008	Plain washer			2	
51	02912 08008	Nut			4	
51	GH245 00600	Washer			4	
51	03116 12008	Plain washer			4	
52	53220 59800	Fender. TIRE. LH/RH			2	
53	52350 55810	Cover			2	
55	52660 04000	Hook			1	
56	52750 23100	Bracket. LH REAR			1	
57	52750 22800	Bracket. LH FRONT			1	
58	52750 22900	Bracket. LH MIDDLE			1	
59	39200 07100	Tool box. RH FRONT			1	
60	52350 61010	Cover. RAD ACCESS. RH			1	
61	52350 61110	Cover. RAD ACCESS. LH			1	
62	02915 00008	Hexagon flange nut			32	
63	52800 83600	Duct. RH DOOR			1	
65	02201 08012	Flange bolt			21	
66	52620 39900	Lifting bail			1	
67	52620 40000	Lifting bail			1	
68	02135 12030	Bolt			8	
68	03115 02012	Spring Washer			8	
69	52750 23300	Bracket			1	
69	02201 08012	Flange bolt			2	
71	03407 67215	Seal rubber			1	
100	39200 04900	Tool box			1	
100	03620 05013	Blind rivet			4	
101	52750 19100	Bracket			1	
101	02401 28020	Screw			2	

MMD Equipment. Equip with the Pros.
All prices are subject to change without notice.